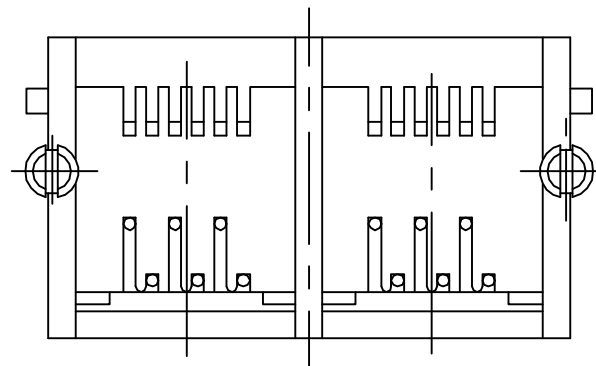


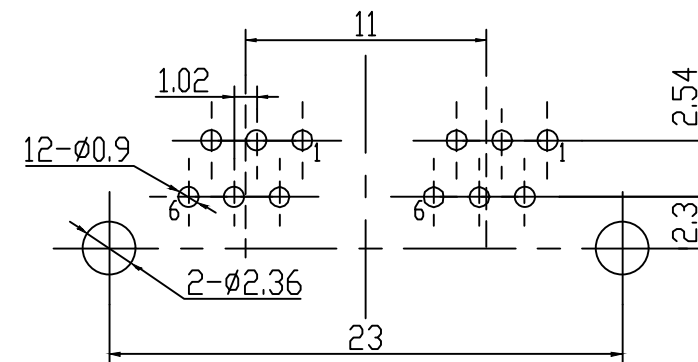
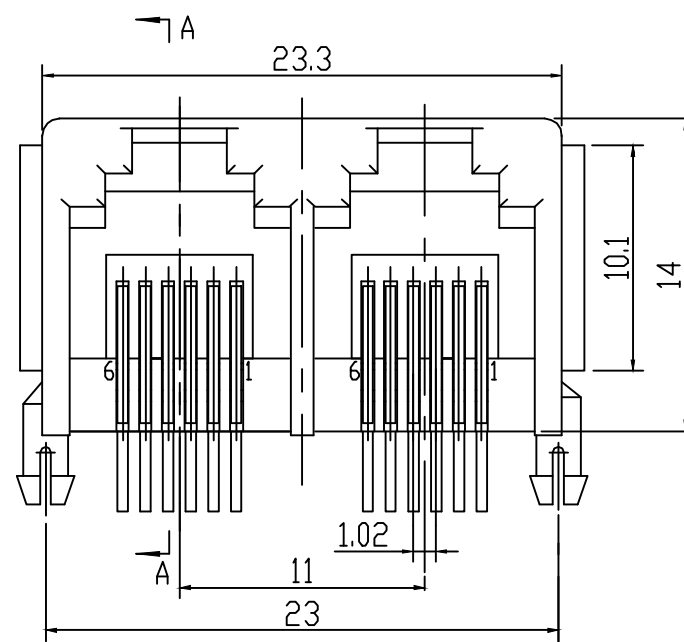
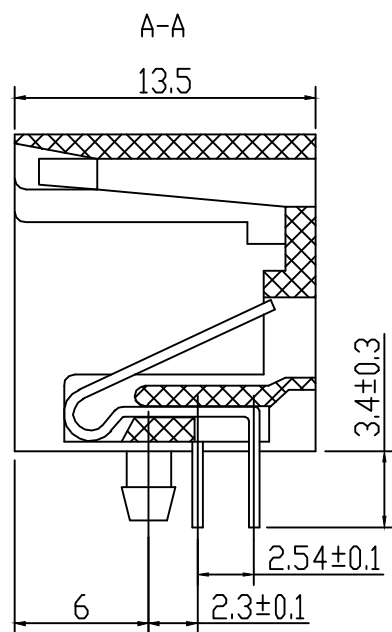
RoHS

REV	DESCRIPTION	DATE



NOTES:

1. ELECTRICAL:
 - 1.1 VOLTAGE RATING: 125 VAC RMS;
 - 1.2 CURRENT RATING: 1.5 AMP;
 - 1.3 CONTACT RESISTANCE: 20 MILLIOHMS Max;
 - 1.4 INSULATION RESISTANCE: 1000 MEGOHMS Min @500 VDC;
 - 1.5 DIELECTRIC STRENGTH: 1000 VAC RMS 50 or 60Hz 1 Minute;
2. MECHANICAL:
 - 2.1 HOUSING: PBT, UL94V-0, BLACK;
 - 2.2 TERMINALS: DIA 0.46 PHOSPHOR BRONZE PLATED w/ Au;
 - 2.3 DURABILITY: 750 CYCLES Min.



PCB LAYOUT

<p>CNT 肯耐特电子有限公司</p>				GENERAL TOLERANCE		DRAWN 董道丽	DATE 20191112	DWG. NO.	TITLE
				X.° ±5°	X. ±0.30	CHECK 王芳芳	DATE 20191112	PART. NO.	
REV. 1.0	UNIT mm	SCALE 1:1		.X° ±3°	.X ±0.38	APPROVE 王元中	DATE 20191112	CNT-5521-2X6P6C	5521 6P6C 2PORTS
				.XX° ±2°	.XX ±0.25				
				.XXX° ±1°	.XXX ±0.15				