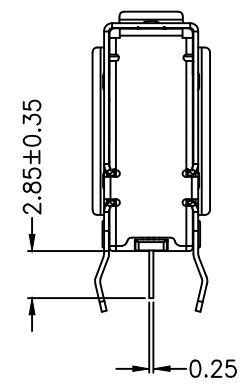
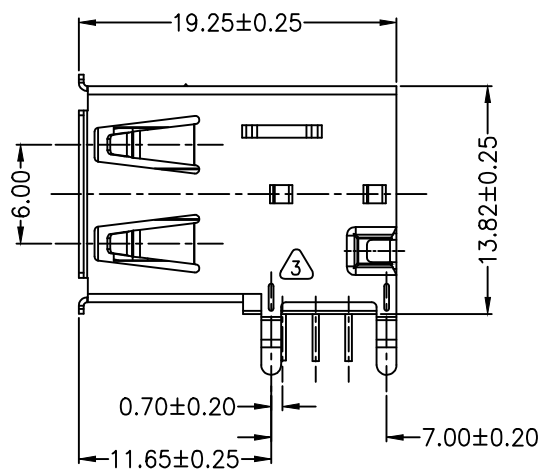
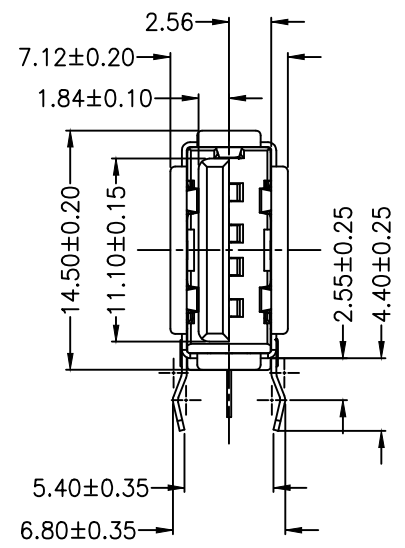
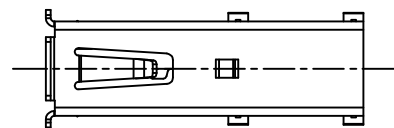
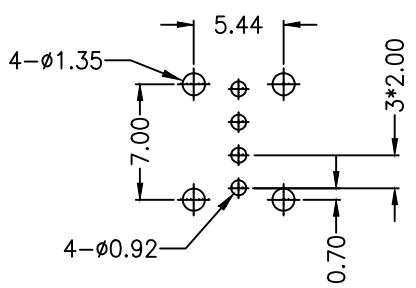


REV	DESCRIPTION	DATE

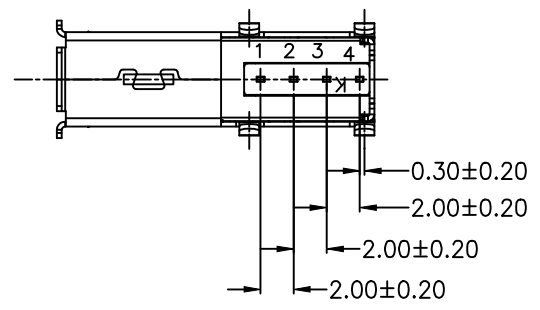


Specification

- 1.Current Rating:1.5AMP at 250V AC
Voltage Rating:30V
- 2.Insulation Resistance:1000MΩ Min
- 3.Contact Resistance:30mΩ Max
- 4.Dielectric Withstanding Voltage:500V AC
- 5.Temperature Range:-20°C to +60°C
- 6.Mechanical Characteristics:
Insertion Force:35 Newtons maximum
Extraction Force:10 Newtons minimum



RECOMMENDED P.C.B HOLE LAYOUT
TOP VIEW(TOLERANCE:±0.10)



5	Back Shell	SPCC	1	T=0.30 Plating nickel/Tin
4	Front Shell	C2680H	1	T=0.30 Plating nickel/Tin
3	Back Plug	P.B.T	1	UL94V-0 Nature/Black/White
2	Housing	P.B.T	1	UL94V-0 Nature/Black/White
1	Contact	C2680EH	4	T=0.25 Plating Gold
NO.	VARIETY	MATERIAL	QT,Y	REMARK

			GENERAL TOLERANCE		DRAWN 董道丽	DATE 20191112	DWG. NO.	TITLE
			X.° ±5°	X. ±0.30				
REV. 1.0	UNIT mm	SCALE 1:1	.X° ±3°	.X ±0.38	APPROVE 王元中	DATE 20191112	PART. NO. CNT-USB-AF-TD-1925	USB A TYPE(FEMALE)DIP 90°
			.XX° ±2°	.XX ±0.25				
			.XXX° ±1°	.XXX ±0.15				